



#F222

BELL CYLINDER KEY SWITCH

Door Violation Alarm Key Switch mounted on a 1-gang plate.

PRODUCT FEATURES

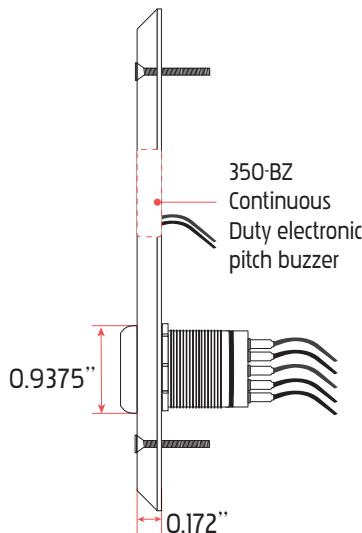
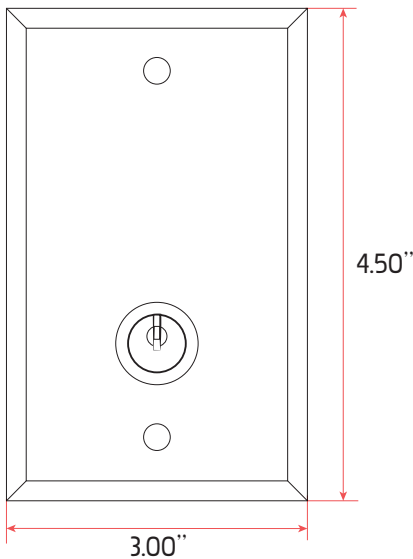
- Installed with 350-BZ Continuous Duty electronic pitch buzzer
- Status LEDs
- Mortise cylinder keyswitch

PRODUCT SPECIFICATIONS

- **PLATE:** 4.50" x 3.00"
- Contact Rating: 6 Amps @ 30VDC/125AC
- LED: 10" color coded 22-gauge stranded wires leads
- LED Voltage: Colored 28V
- Material: Switch plate 0.60 stainless 302

ENGRAVING OPTIONS

- Engraving available in Spanish, Japanese, French, Arabic, Portuguese and Chinese.
- | | |
|--------------------------|---------------------------------------|
| E00: No Engraving | E11: Push to Sound Alarm |
| E01: Exit | E15: Emergency Door Release |
| E02: Push to Exit | E22: Push to Exit w/ HCP Logo |
| E03: Push to Open | E24: Push to Open Door w/ HCP Logo |
| E04: Emergency | E32: Push to Operate Door w/ HCP Logo |
| E07: Push for Help | E41: Request to Exit |
| E08: Push to Lock | EH2: HCP Logo |
| E09: Push to Unlock Gate | ECE: Custom Engraving |



SWITCH TYPES

- SPDT: Momentary
- DPDT: Double pull double throw Momentary
- TIMR: Dual-timer

ENGRAVING COLOR

RD: Red
BK: Black
GD: Gold
WH: White
CU: Custom Color

FINISHES

SB: Sandblast
RD: Red
CU: Custom Finish
CA: Clear Anodized
DB: Dark Brown
WH: Off White