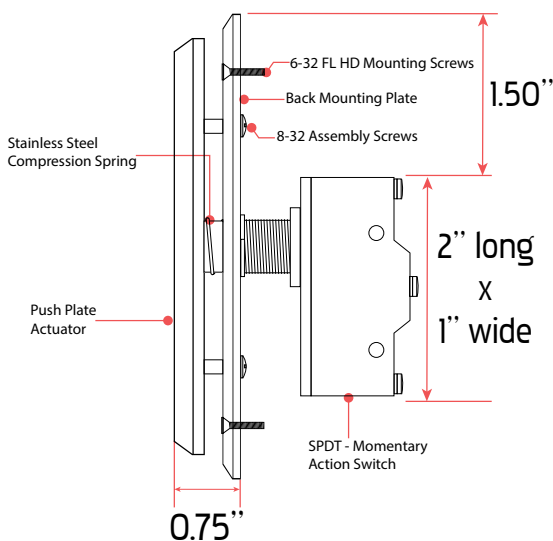
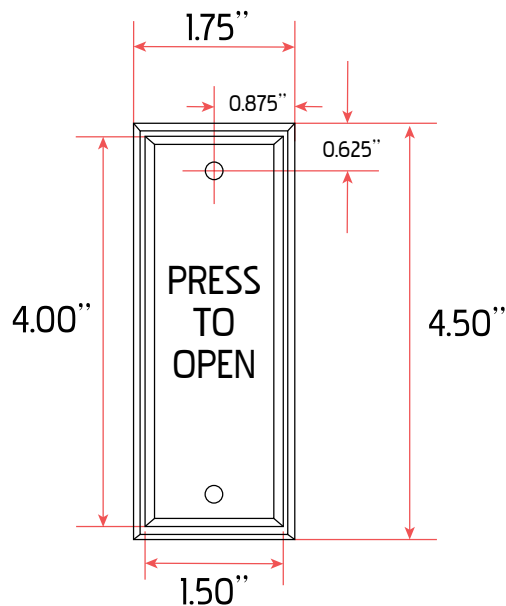




#S106 PUSH PLATE SWITCH

S106 Push Plate Switches consist of Narrow Security Push Plate on Narrow Back Plate. A full list of customizable options including handicap symbol engraving are available, see below.



PRODUCT FEATURES

- Handicap Symbol Available
- All manufactured with rust resistant 1/4" aluminum
- Non-binding internal stainless steel screws
- Tested for 1,000,000 cycles

PRODUCT SPECIFICATIONS

BACK PLATE: 4.50" x 1.75"

NARROW PUSH PLATE: 4.00" x 1.50"

- Contact Rating: 6 Amps @ 125VAC/28VDC
- SPDT - Momentary switch (Standard)
- Material: 5052 Marine-type aluminum
- Finish: Clear satin anodized aluminum (Standard)

NOTES

- Engraving Available in Spanish, Japanese, French, Arabic, Portuguese and Chinese.



#S106 PUSH PLATE SWITCH

S106 Push Plate Switches consist of Narrow Security Push Plate on Narrow Back Plate. A full list of customizable options including handicap symbol engraving are available, see below.

ENGRAVING OPTIONS

E00: No Engraving	E11: Push to Sound Alarm
E01: Exit	E15: Emergency Door Release
E02: Push to Exit	E22: Push to Exit w/ HCP Logo
E03: Push to Open	E24: Push to Open Door w/ HCP Logo
E04: Emergency	E32: Push to Operate Door w/ HCP Logo
E07: Push for Help	E41: Request to Exit
E08: Push to Lock	EH2: HCP Logo
E09: Push to Unlock Gate	ECE: Custom Engraving

ENGRAVING COLOR

RD: Red
BK: Black
GD: Gold
WH: White
CU: Custom Color

SWITCH TYPES

SPDT: Momentary
DPDT: Double pull double throw Momentary
PNUM: Pneumatic Time-Delay Switch
WILS: Wireless
TIMR: Dual-timer

FINISHES

SB: Sandblast
RD: Red
CU: Custom Finish
CA: Clear Anodized
DB: Dark Brown
WH: Off White