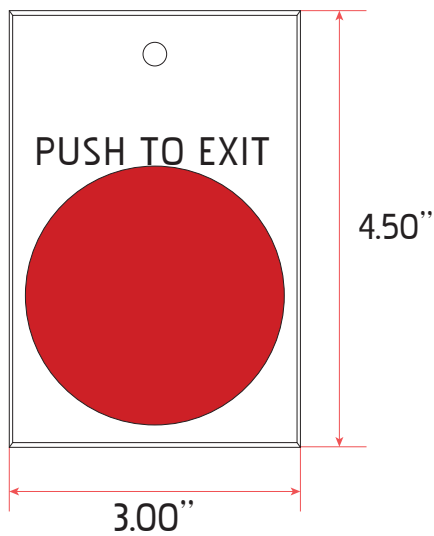




#PL142 PUSH BUTTON SWITCH

Red push button exit release with a Dark Grey Tuftex switch plate.



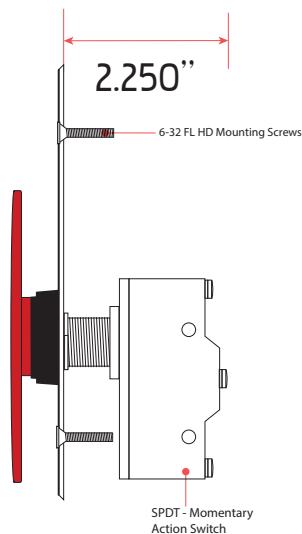
PRODUCT FEATURES

- Large push button
- Dark grey tuftex back plate

PRODUCT SPECIFICATIONS

SWITCH PLATE: 4.50" x 3.00"

- Contact Rating:
 - 4 Amps @ 24VDC
 - 6 Amps @ 120VAC
- 1-Gang Box Mount
- Material: Dark Grey Tuftex switch plate



SWITCH TYPES

- SPDT:** Momentary
- DPDT:** Double pull double throw Momentary
- PNUM:** Pneumatic Time-Delay Switch
- WILS:** Wireless
- TIMR:** Dual-timer