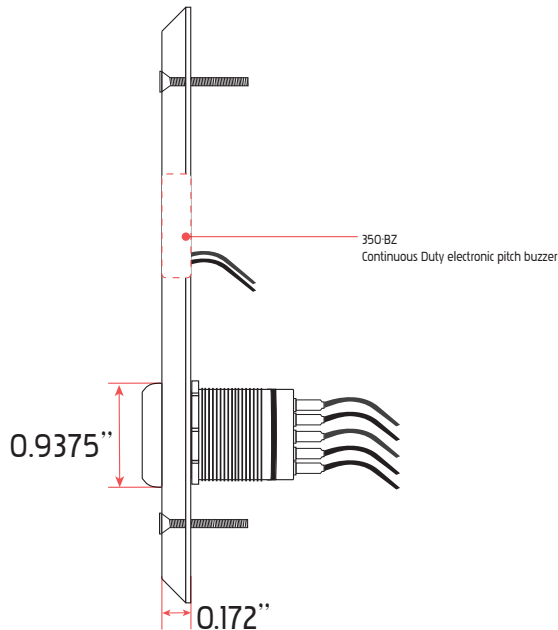
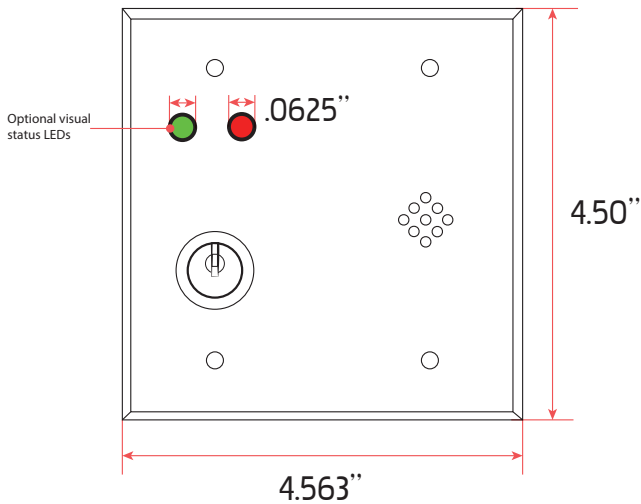


#D221 BELL CYLINDER KEY SWITCH

Door Violation Alarm Key Switch mounted on a 2-gang plate.



PRODUCT FEATURES

- Installed with loud pizzzo sounders
- Status LEDs
- Mortise cylinder keyswitch

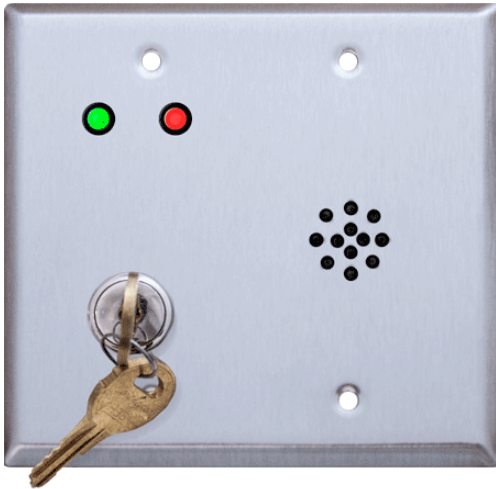
PRODUCT SPECIFICATIONS

PLATE: 4.50" x 4.563"

- Contact Rating: 6 Amps @ 30VDC/125AC
- LED: 10" color coded 22-gauge stranded wires leads
- LED Voltage: Colored 28V
- Material: Switch plate 0.60 stainless 302

NOTES

- Engraving Available in Spanish, Japanese, French, Arabic, Portuguese and Chinese.



#D221 BELL CYLINDER KEY SWITCH

Door Violation Alarm Key Switch mounted on a 2-gang plate.

ENGRAVING OPTIONS

E00: No Engraving	E11: Push to Sound Alarm
E01: Exit	E15: Emergency Door Release
E02: Push to Exit	E22: Push to Exit w/ HCP Logo
E03: Push to Open	E24: Push to Open Door w/ HCP Logo
E04: Emergency	E32: Push to Operate Door w/ HCP Logo
E07: Push for Help	E41: Request to Exit
E08: Push to Lock	EH2: HCP Logo
E09: Push to Unlock Gate	ECE: Custom Engraving

ENGRAVING COLOR

RD: Red
BK: Black
GD: Gold
WH: White
CU: Custom Color

SWITCH TYPES

SPDT: Momentary
DPDT: Double pull double throw Momentary
PNUM: Pneumatic Time-Delay Switch
WILS: Wireless
TIMR: Dual-timer

FINISHES

SB: Sandblast
RD: Red
CU: Custom Finish
CA: Clear Anodized
DB: Dark Brown
WH: Off White