

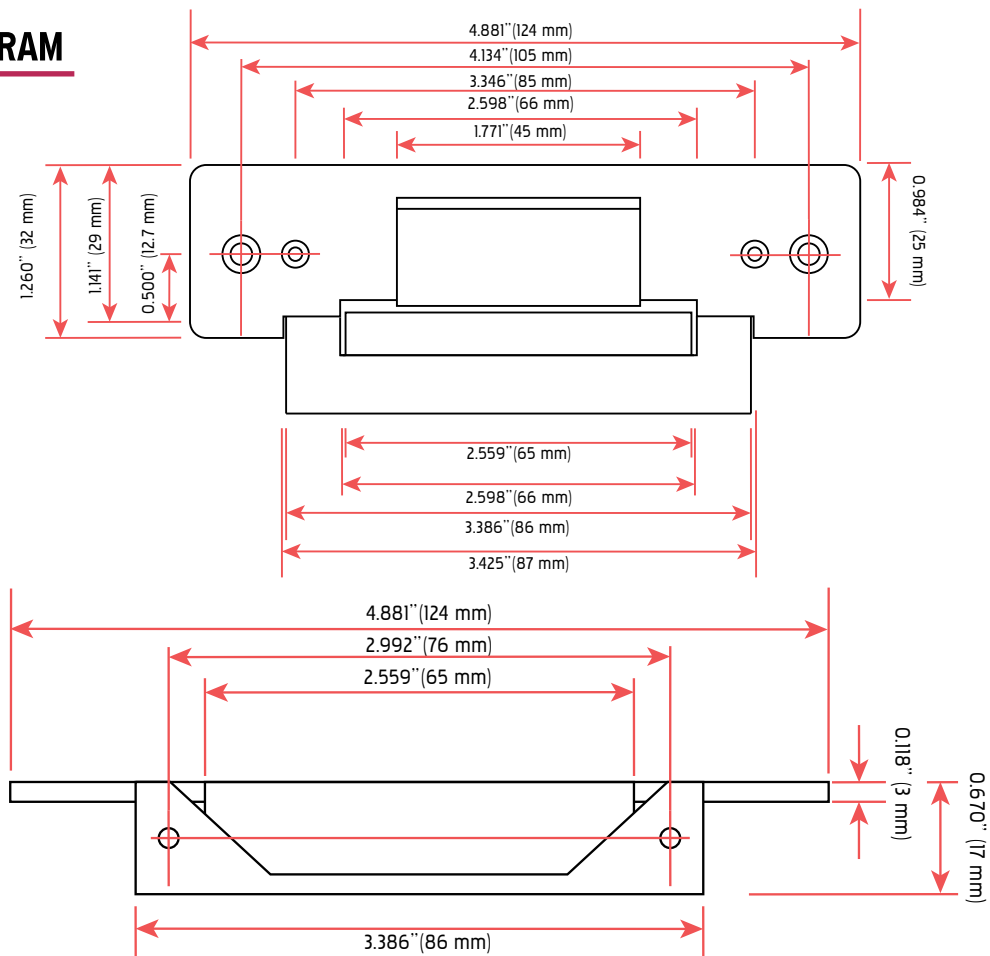
#600

ELECTRIC STRIKE

PRODUCT SPECIFICATIONS

Size	4.881" L x 0.670" H x 1.260" W (in)
Face Plate	4.881" L x 1.260" W x 1.280" Thickness (in) Stainless Steel
Voltage	DC12V(Default) Current 12V/240mA
Features	FailSecure(600FSECURE); FailSecure(600FSAFE) FailSecure (NO): When power is off, the lock remains locked. The door stays closed during a power outage. Used where security is more important than free egress (eg, server rooms). FailSecure (NC): When power is off, the lock becomes unlocked. The door becomes open/free to open during a power outage. Used where life safety is a priority (eg, office exits, stairwells)
Suitable For	All door and frame types can accommodate most locking devices with up to a 3/4" latch protection
Wiring	White + : DC 12V Orange : COM White - : DC 12V Blue : NC Yellow : NO

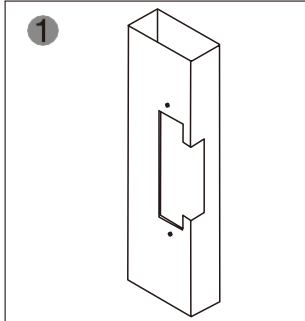
PRODUCT DIAGRAM



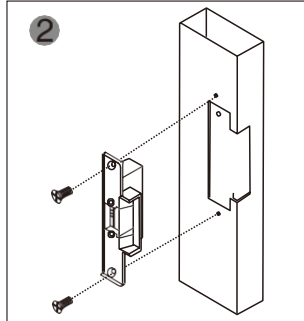
#600

ELECTRIC STRIKE - INSTALLATION GUIDE

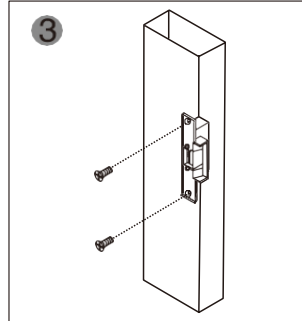
PRODUCT INSTALLATION



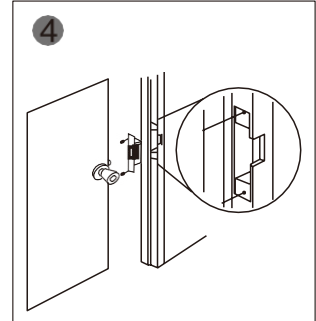
1 Cut hole according to the dimension of the strike



2 Assemble the lock and connect it to the power to test

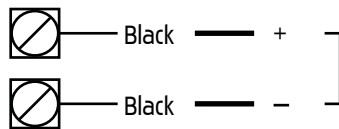
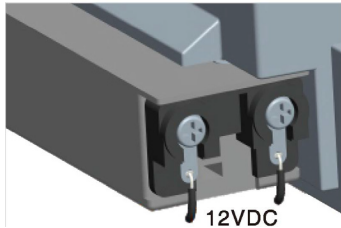


3 Fix the electric strike



4 Finished

WIRING INSTRUCTIONS



SAMPLE OF WIRING DIAGRAM

