

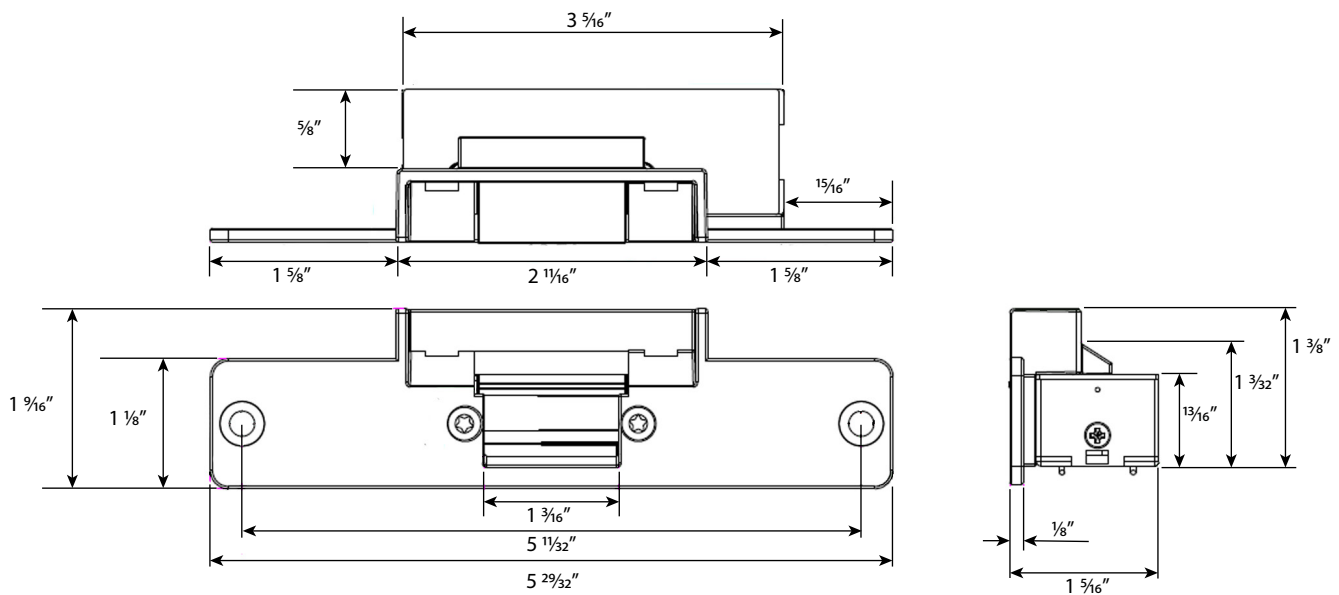
#600

ELECTRIC STRIKE

PRODUCT SPECIFICATIONS

Size	5 ²⁹ / ₃₂ L x 1 ⁹ / ₁₆ W x 1 ⁵ / ₁₆ H (in)
Voltage	DC12V(Default); DC24V(Order)
Current	12V/240mA; 24V/120mA
Feature	FailSecure(600FSECURE); FailSecure(600FSAFE)
Suitable For	All door and frame types and accommodate most locking devices with up to a ³ / ₄ " latch protectiononvenient
Finishing	Electroplating
Weight	0.88 lbs

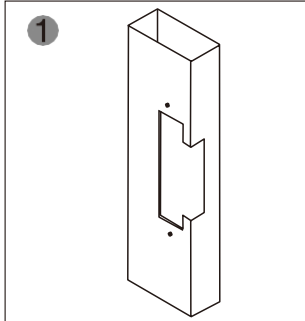
PRODUCT DIAGRAM



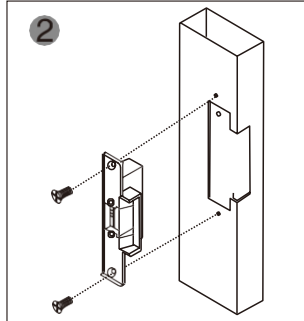
#600

ELECTRIC STRIKE - INSTALLATION GUIDE

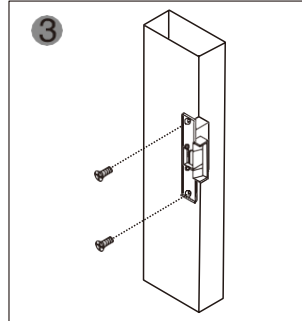
PRODUCT INSTALLATION



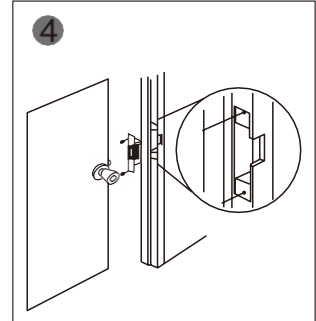
1 Cut hole according to the dimension of the strike



2 Assemble the lock and connect it to the power to test

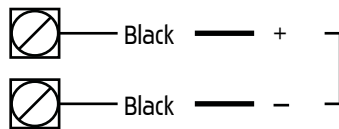
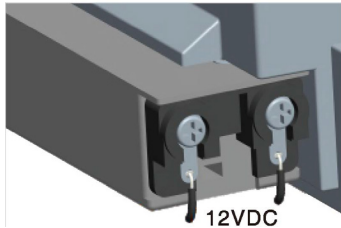


3 Fix the electric strike



4 Finished

WIRING INSTRUCTIONS



WIRING CONNECTION

