



#2757

SERIES HIGH SECURITY CONCEALED MAGNETIC CONTACTS

FEATURES

- Ideal for high security applications
- Balanced, triple-biased features make defeat of switch virtually impossible
- Fits standard ANSI door cut-outs

OPTIONS

SLH - Adjustable contact and magnet for loose fitting doors with slotted mounting holes offering 'External' adjustability feature.
UL - UL Rated

Specifically designed for high security applications in prisons, military installations, government facilities, and commercial operations the 2757 Series Magnetic Contacts are virtually impossible to defeat. Total encapsulation coupled with recess mounting prevents access to the switch and to cabling, and prevents tampering with an external magnet. These contacts are factory calibrated for operation in steel and are not subject to sticking or freezing on seldom-used doors. In addition, the 2757 Contacts are adjustable for use in loose fitting doors.

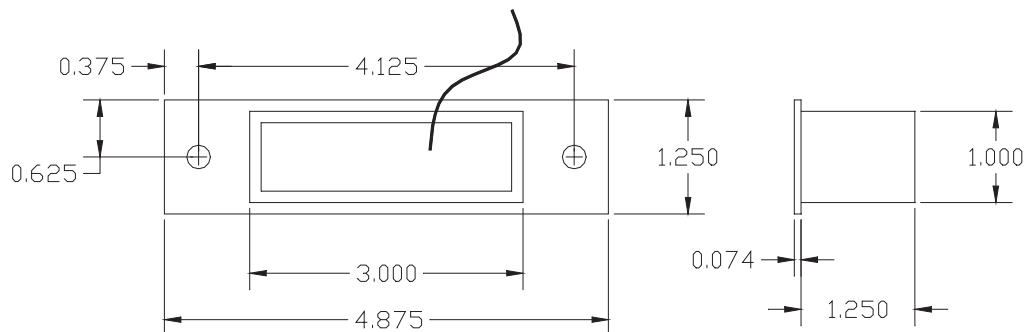
WIRING GUIDE

SPDT Contact
Common = Black
Normally Closed = White
Normally Open = Red

Tamper Loop
Brown & Green

SPECIFICATIONS

Voltage: 50 V AC/DC max
Current: 0.5 A max
Power: 2.5 W max



Circuit Configuration	High Security Triple Bias
Custom Options	Call for custom options such as slotted holes, UL listed, resistors or other requirements
Electrical Rating	Maximum 30 VDC, 20 ma, 3 W
Details	Urethane potted for maximum protection of electrical components and resistance to harsh environment. Recessed stainless steel ANSI Door plate.
Gap	0" to 3/16"
Lead Length	12" #22AWG Wire Leads
Loop Type (with magnet present)	SPDT Door Position Switch, with Triple Bias reeds.
Mounting	Recessed Stainless Steel ANSI Door Plate
Size	1 3/8" Deep with 1 1/4" W x 4 7/8" L ANSI Plate
Termination	Wire Leads