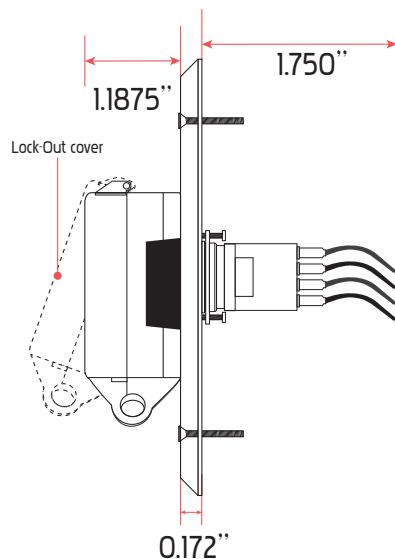
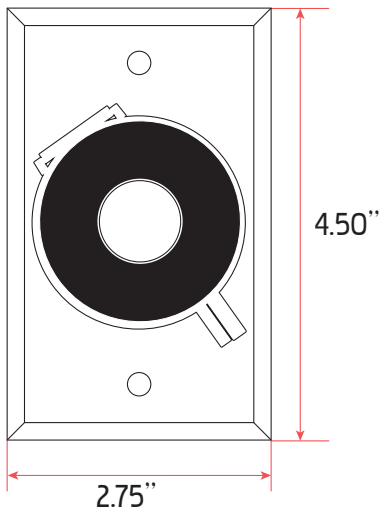


#142LOC PUSH BUTTON SWITCH

Lock-Out cover assembly in tinted, see through impact resilient plastic for use with 142 Series momentary and alternate action push button switches.



PRODUCT FEATURES

- Large push button
- Plastic protective case

PRODUCT SPECIFICATIONS

SWITCH PLATE: 4.50" x 2.75"

- Contact Rating:
 - 4 Amps @ 24VDC
 - 6 Amps @ 120VAC
- Material: Switch plate 5052 marine aluminum
- Finish: Satin chrome (standard)
- Others to specify powder coating

SWITCH TYPES

- SPDT:** Momentary
- DPDT:** Double pull double throw Momentary
- PNUM:** Pneumatic Time-Delay Switch