

**F117**



**D117**



## #117 TOUCHLESS ACTUATOR

**F117** - Touchless Actuator consisting of a 1-gang back plate.  
**D117** - Touchless Actuator consisting of a 2-gang back plate.

### PRODUCT FEATURES

- Passive infrared exit switch
- Designed to reliably release magnetic locks
- Automatically cuts power to the lock, allowing the individual to exit without even realizing that the door is secured.

### PRODUCT SPECIFICATIONS

**D117 SWITCH PLATE:** 4.00" x 4.00"

**F117 SWITCH PLATE:** 4.00" x 2.50"

- Infrared Out-Switch
- 5052 Marine-type aluminum
- Finish: Clear satin anodized aluminum (Standard)

### FINISHES

CA: Clear Anodized  
DB: Dark Brown  
WH: Off White  
RD: Red  
BL: Hospital Blue  
CU: Custom Finish

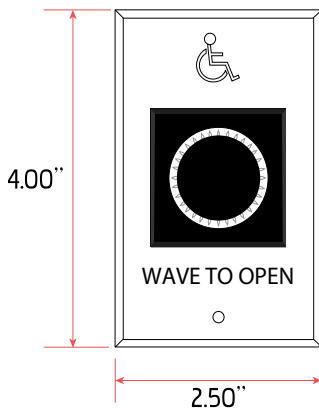
### ENGRAVING COLOR

RD: Red  
BK: Black  
GD: Gold  
WH: White  
CU: Custom Color

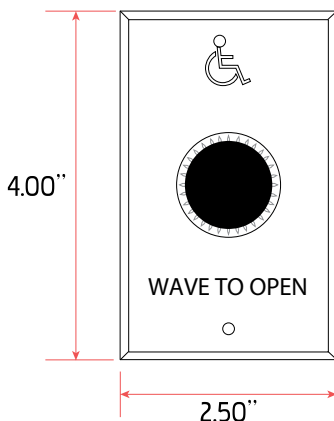
### ENGRAVING OPTIONS

E00: No Engraving	E11: Push to Sound Alarm
E01: Exit	E15: Emergency Door Release
E02: Push to Exit	E22: Push to Exit w/ HCP Logo
E03: Push to Open	E24: Push to Open Door w/ HCP Logo
E04: Emergency	E32: Push to Operate Door w/ HCP Logo
E07: Push for Help	E41: Request to Exit
E08: Push to Lock	EH2: HCP Logo
E09: Push to Unlock Gate	ECE: Custom Engraving

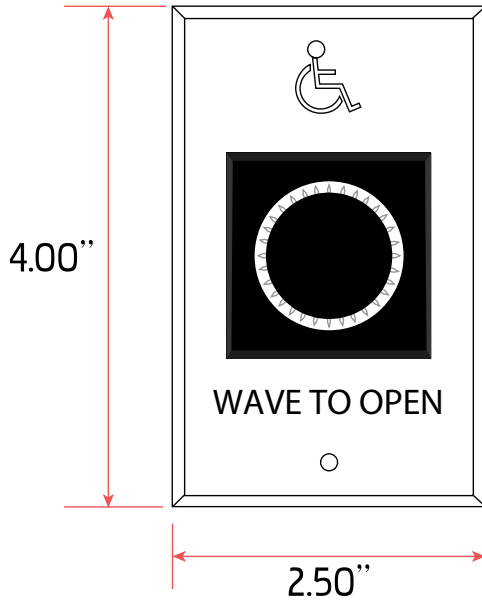
**F117-12VDC**



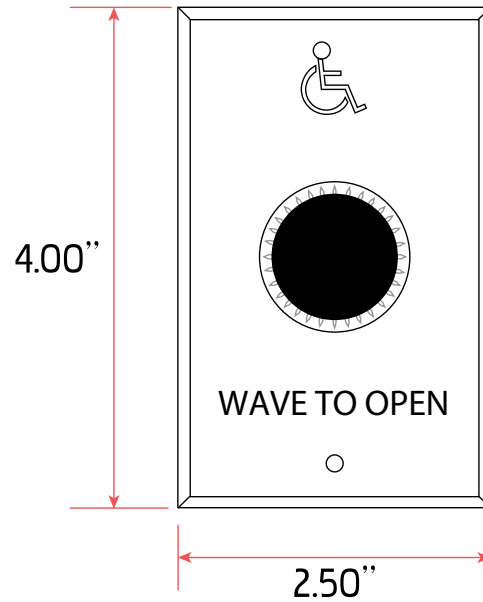
**F117-24VDC**



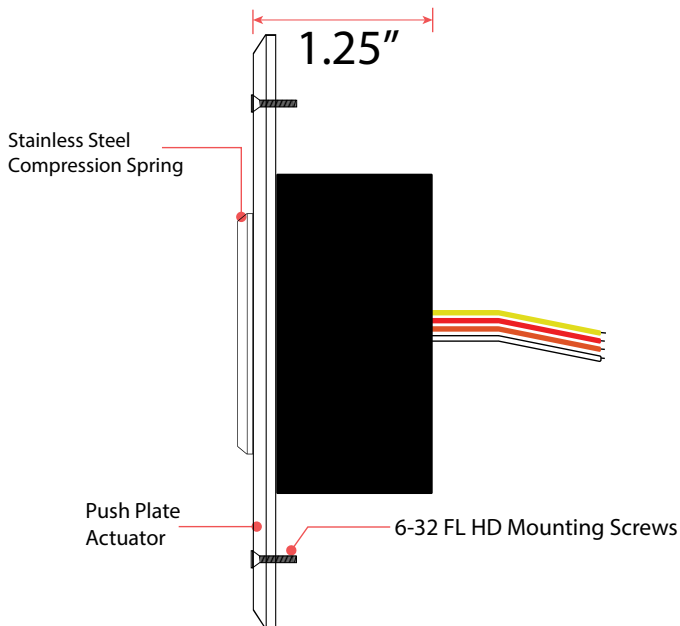
### F117-12VDC



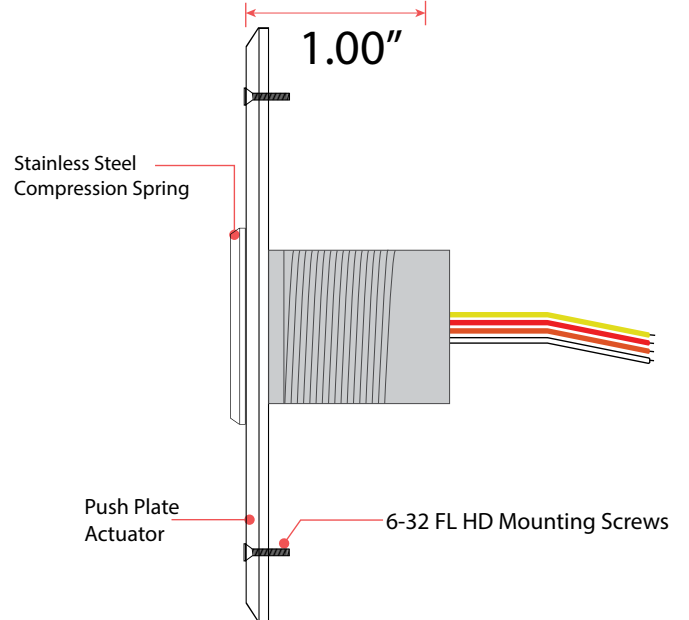
### F117-24VDC

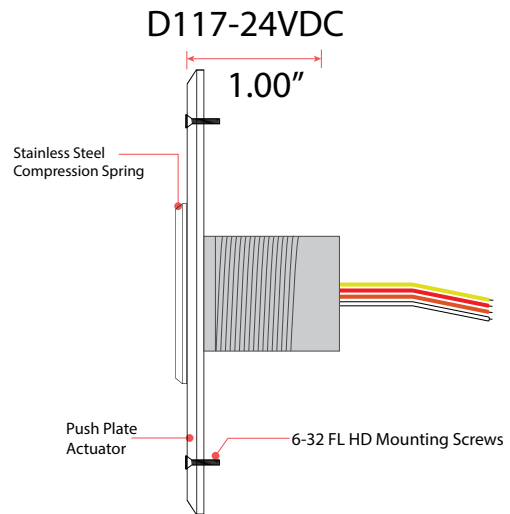
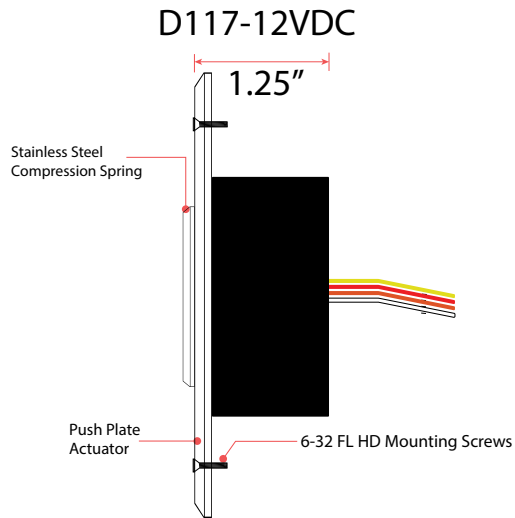
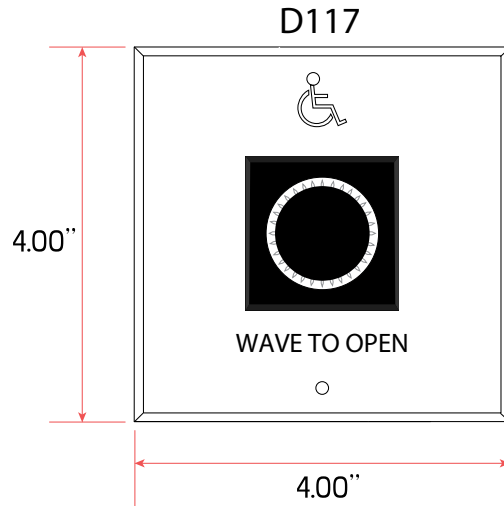


### F117-12VDC



### F117-24VDC

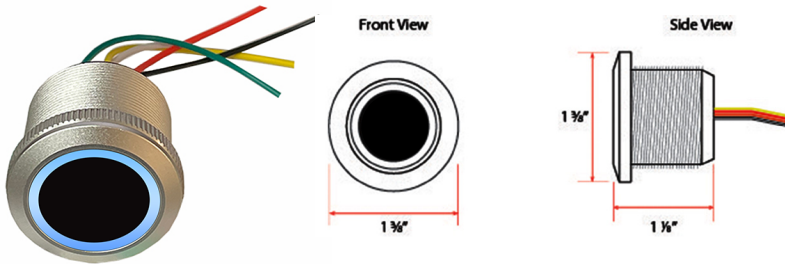




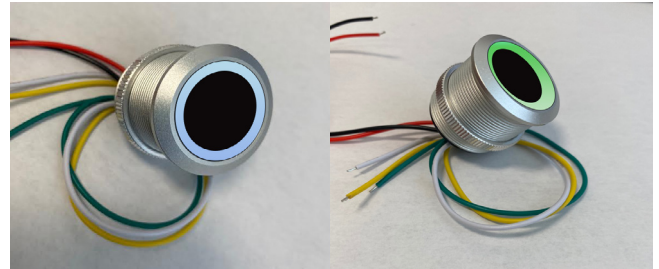
No Touch Sensor

## #310, #117

## Touchless Actuator



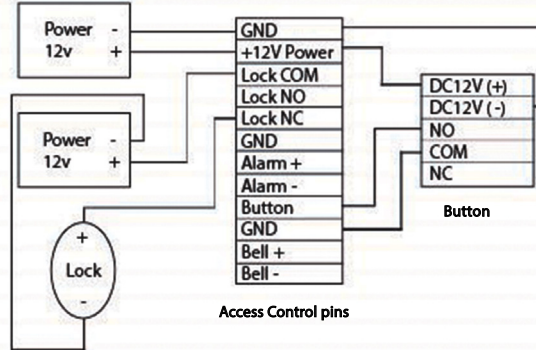
LED:



**Technical Specifications:**

Power: DC12-24V      Contact Rating: 3A/12~24V  
 Output: NO/NC/COM      Infrared distance: 3~15cm.  
 LED indicator: Blue LED indicator (standby)  
                               Green LED indicator (sensation)  
 Panel: 0.9mm thick 304 stainless steel  
 Standard Structure: No touch to exit  
 Mechanical Life: 100,000 tested  
 Operating temp: -20~+55 Degree  
 Installation: Surface mount or Hollow door

**Diagram Wiring:**



Red: +12~24VDC  
 Black: GND  
 Yellow: COM  
 White: NC  
 Green: NO