

**F117**



**D117**



## #117 HANDS-FREE SWITCH

**D117** - Hands free switch consisting of a 2-gang back plate.

**F117** - Hands free switch consisting of a 1-gang back plate.

### PRODUCT FEATURES

- Passive infrared exit switch
- Designed to reliably release magnetic locks
- Automatically cuts power to the lock, allowing the individual to exit without even realizing that the door is secured.

### PRODUCT SPECIFICATIONS

**D117 SWITCH PLATE:** 4.00" x 4.00"

**F117 SWITCH PLATE:** 4.00" x 2.50"

- Infrared Out-Switch
- 5052 Marine-type aluminum
- Finish: Clear satin anodized aluminum (Standard)

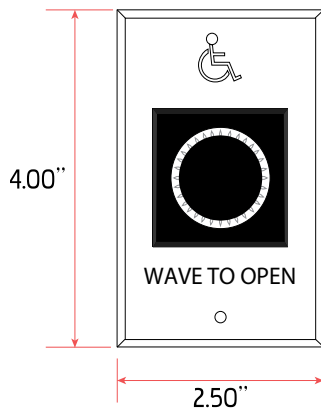
### FINISHES

CA: Clear Anodized  
DB: Dark Brown  
WH: Off White  
RD: Red  
BL: Hospital Blue  
CU: Custom Finish

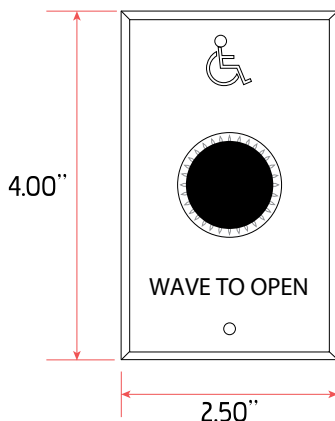
### ENGRAVING COLOR

RD: Red  
BK: Black  
GD: Gold  
WH: White  
CU: Custom Color

**F117-12VDC**



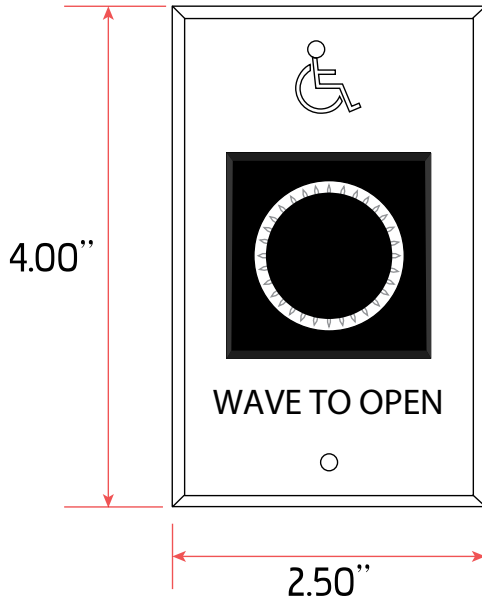
**F117-24VDC**



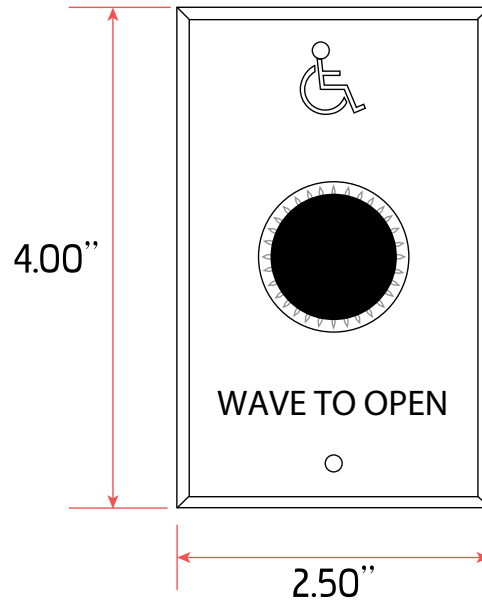
### ENGRAVING OPTIONS

- |                          |                                       |
|--------------------------|---------------------------------------|
| E00: No Engraving        | E11: Push to Sound Alarm              |
| E01: Exit                | E15: Emergency Door Release           |
| E02: Push to Exit        | E22: Push to Exit w/ HCP Logo         |
| E03: Push to Open        | E24: Push to Open Door w/ HCP Logo    |
| E04: Emergency           | E32: Push to Operate Door w/ HCP Logo |
| E07: Push for Help       | E41: Request to Exit                  |
| E08: Push to Lock        | EH2: HCP Logo                         |
| E09: Push to Unlock Gate | ECE: Custom Engraving                 |

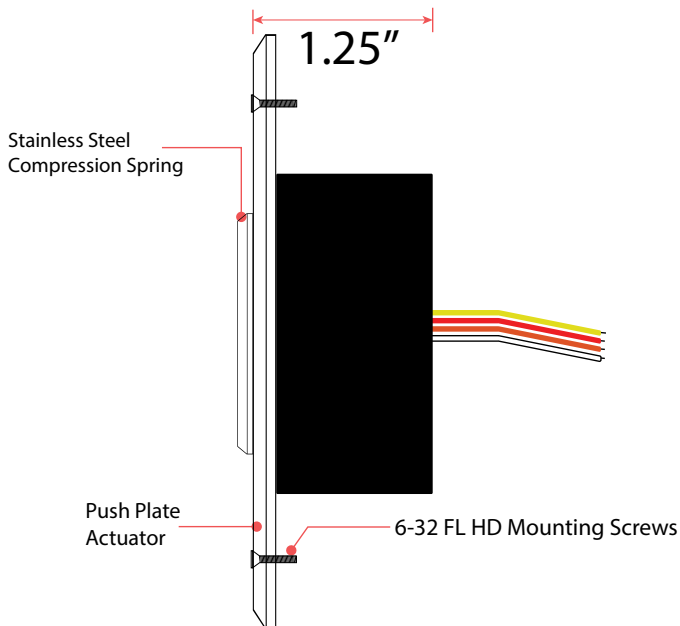
### F117-12VDC



### F117-24VDC



### F117-12VDC



### F117-24VDC

