

F117



D117



#117 TOUCHLESS ACTUATOR

F117 - Touchless Actuator consisting of a 1-gang back plate.
D117 - Touchless Actuator consisting of a 2-gang back plate.

PRODUCT FEATURES

- Passive infrared exit switch
- Designed to reliably release magnetic locks
- Automatically cuts power to the lock, allowing the individual to exit without even realizing that the door is secured.

PRODUCT SPECIFICATIONS

D117 SWITCH PLATE: 4.00" x 4.00"

F117 SWITCH PLATE: 4.00" x 2.50"

- Infrared Out-Switch
- 5052 Marine-type aluminum
- Finish: Clear satin anodized aluminum (Standard)

FINISHES

CA: Clear Anodized
DB: Dark Brown
WH: Off White
RD: Red
BL: Hospital Blue
CU: Custom Finish

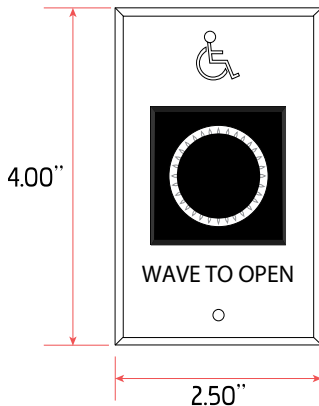
ENGRAVING COLOR

RD: Red
BK: Black
GD: Gold
WH: White
CU: Custom Color

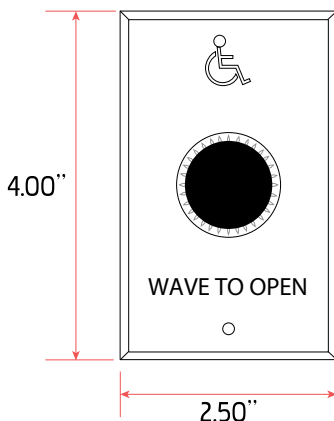
ENGRAVING OPTIONS

E00: No Engraving	E11: Push to Sound Alarm
E01: Exit	E15: Emergency Door Release
E02: Push to Exit	E22: Push to Exit w/ HCP Logo
E03: Push to Open	E24: Push to Open Door w/ HCP Logo
E04: Emergency	E32: Push to Operate Door w/ HCP Logo
E07: Push for Help	E41: Request to Exit
E08: Push to Lock	EH2: HCP Logo
E09: Push to Unlock Gate	ECE: Custom Engraving

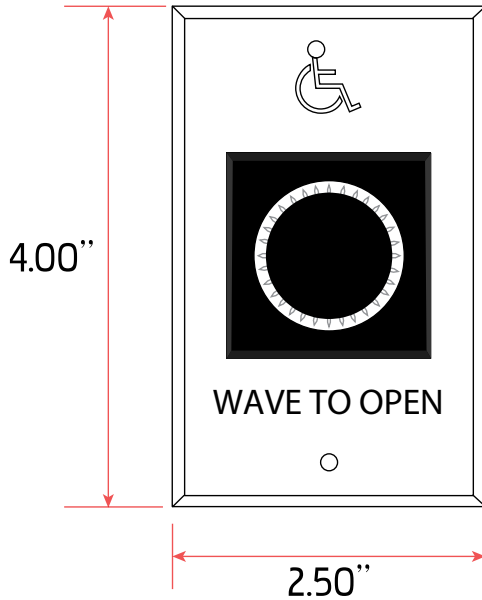
F117-12VDC



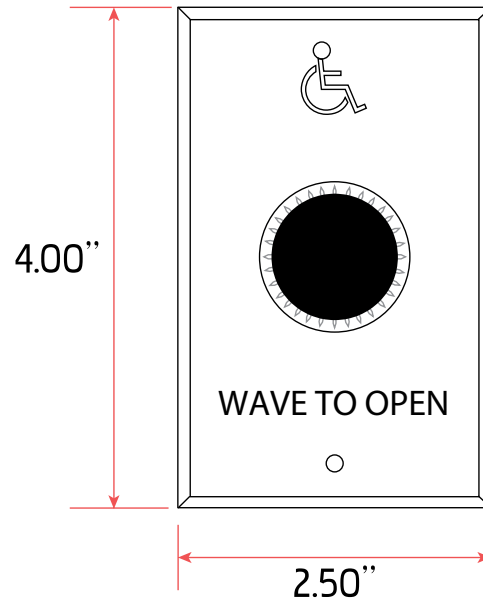
F117-24VDC



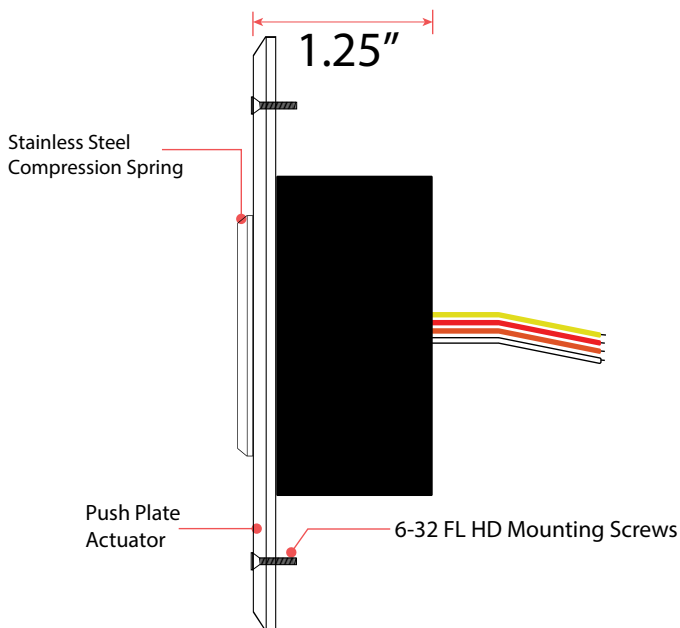
F117-12VDC



F117-24VDC



F117-12VDC



F117-24VDC

