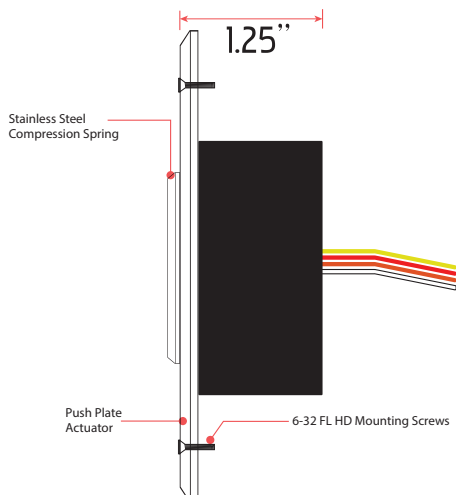
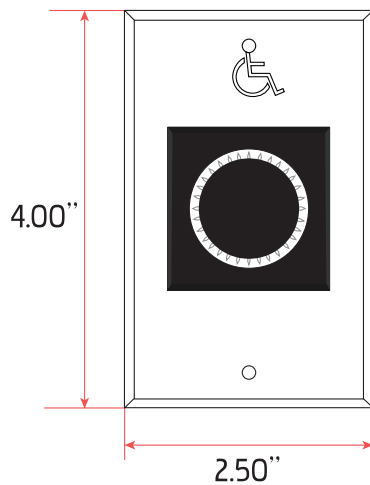




## #117 HANDS-FREE SWITCH

**D117** - Hands free switch consisting of a 2-gang back plate.

**F117** - Hands free switch consisting of a 1-gang back plate.



### PRODUCT FEATURES

- Passive infrared exit switch
- Designed to reliably release magnetic locks
- Automatically cuts power to the lock, allowing the individual to exit without even realizing that the door is secured.

### PRODUCT SPECIFICATIONS

**D117 SWITCH PLATE:** 4.00" x 4.00"

**F117 SWITCH PLATE:** 4.00" x 2.50"

- Contact rating: 2 Amps @ 24VDC
- Infrared Out-Switch
- 5052 Marine-type aluminum
- Finish: Clear satin anodized aluminum (Standard)