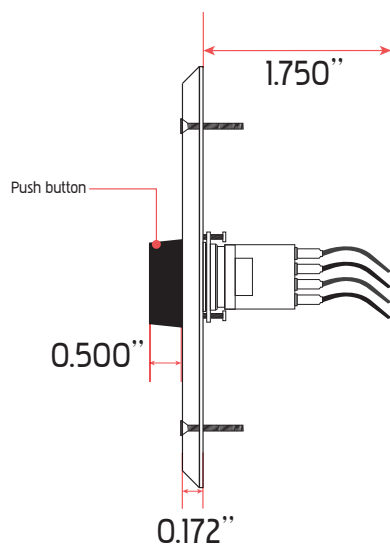
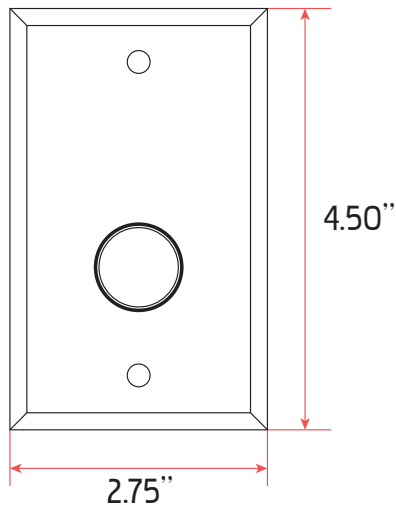




#114 PUSH BUTTON SWITCH

Illuminated Push Button Control Assemblies with 1" diameter black flash guard. Multi-station assemblies on 2, 3, and 4-gang switch plates for up to eight stations.



PRODUCT FEATURES

- Yellow 2 inch square push button
- Illuminated Button
- SPDT, Momentary Switch
- Made in USA

PRODUCT SPECIFICATIONS

SWITCH PLATE: 4.50" x 2.75"

- Contact rating: 2 Amps @ 24VDC
- SPDT - Momentary switch (Standard)
- Furnished with 6" color-coded, 20-gauge stranded wire leads.
- Material: Switch plate 0.60 stainless 302
- Finish: Satin chrome (Standard)

SWITCH TYPES

SPDT: Momentary

DPDT: Double pull double throw Momentary

PNUM: Pneumatic Time-Delay Switch

WILS: Wireless

TIMR: Dual-timer

OPTIONS

MIO - INO & INC Contacts

MII - 2NO & 2NC Contacts