

F117



D117



#117 TOUCHLESS ACTUATOR

F117 - Touchless Actuator consisting of a 1-gang back plate.
D117 - Touchless Actuator consisting of a 2-gang back plate.

PRODUCT FEATURES

- Passive infrared exit switch
- Designed to reliably release magnetic locks
- Automatically cuts power to the lock, allowing the individual to exit without even realizing that the door is secured.

PRODUCT SPECIFICATIONS

D117 SWITCH PLATE: 4.00" x 4.00"

F117 SWITCH PLATE: 4.00" x 2.50"

- Infrared Out-Switch
- 5052 Marine-type aluminum
- Finish: Clear satin anodized aluminum (Standard)

FINISHES

CA: Aluminum
BK: Black
RD: Red
WH: White
GR: Green
CU: Custom Finish

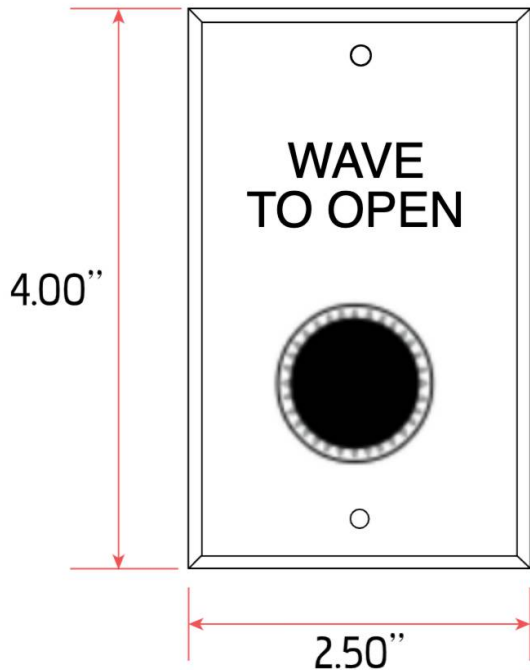
ENGRAVING COLOR

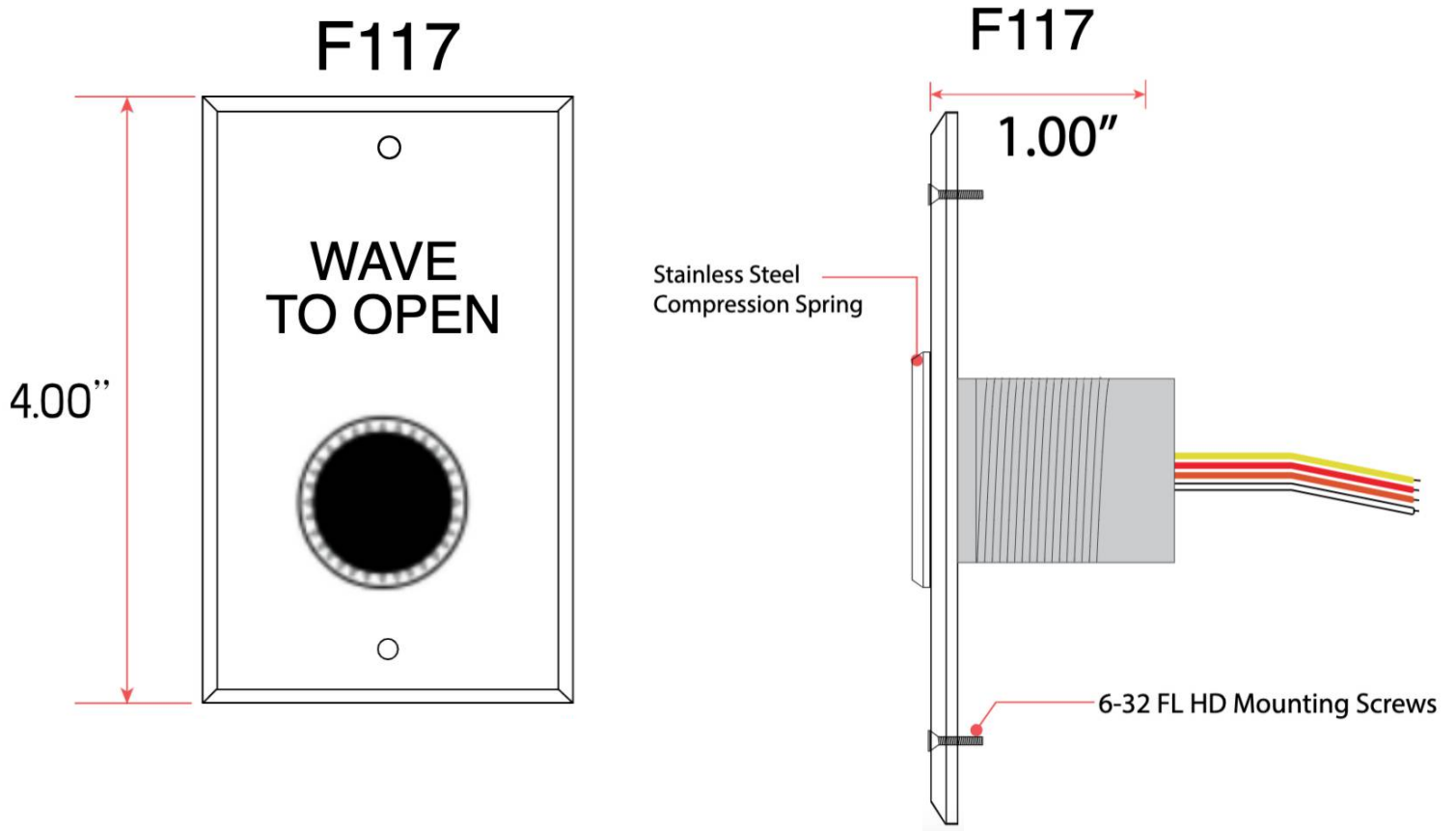
RD: Red
BK: Black
GR: Green
WH: White
CU: Custom Color
CA: Aluminum

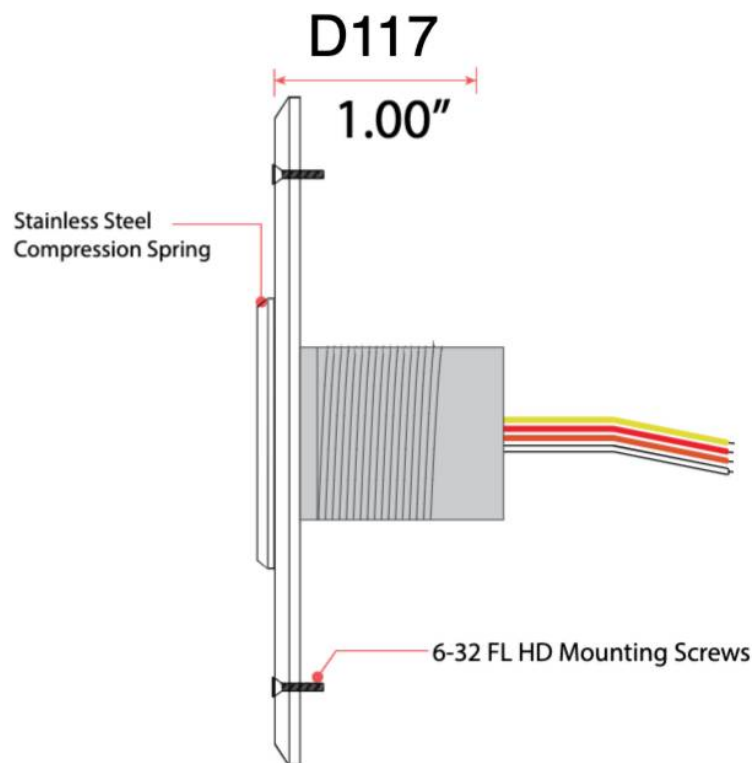
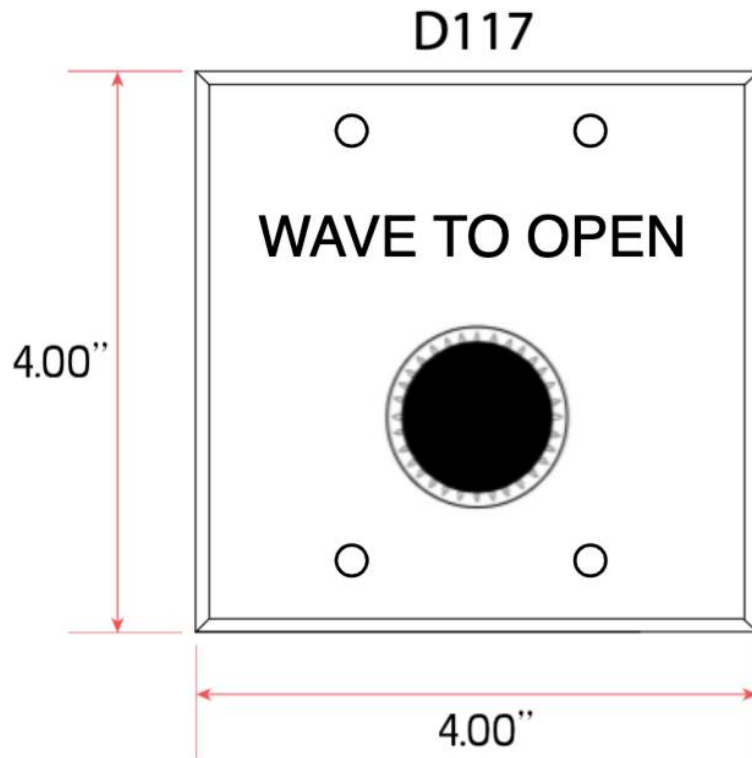
ENGRAVING OPTIONS

E00: No Engraving
E01: Exit
E04: Emergency
E15: Emergency Door Release
E26: Wave to Open
E27: Wave to Open w /HCP Logo
Logo E41: Request to Exit
EH2: HCP Logo
ECE: Custom Engraving

F117



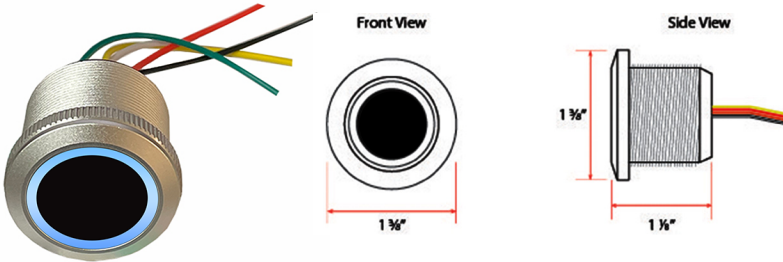




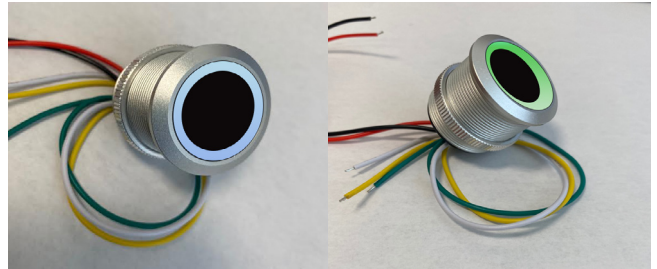
No Touch Sensor

#310, #117

Touchless Actuator



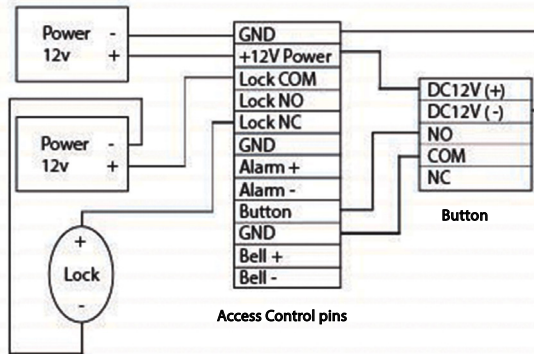
LED:



Technical Specifications:

- Power: DC12-24V Contact Rating: 3A/12~24V
- Output: NO/NC/COM Infrared distance: 3~15cm.
- LED indicator: Blue LED indicator (standby)
 Green LED indicator (sensation)
- Panel: 0.9mm thick 304 stainless steel
- Standard Structure: No touch to exit
- Mechanical Life: 100,000 tested
- Operating temp: -20~+55 Degree
- Installation: Surface mount or Hollow door

Diagram Wiring:



- Red: +12~24VDC
- Black: GND
- Yellow: COM
- White: NC
- Green: NO