

210-10 Digital Keypad Operation Manual

I. Specifications

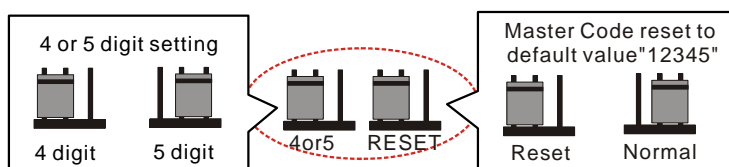
| | | |
|------------------------|---|--------------------------------------|
| Operating Voltage | 210-10 | 12 VDC |
| | 210-10 | 12~24 VDC |
| Current Draw | 210-10 | Pull in: 50 mA Holding: 10mA /12VDC |
| | 210-10 | Pull in: 70 mA Holding: 40mA /12VDC |
| | | Pull in: 100 mA Holding: 60mA /24VDC |
| Keypad | 12 buttons (0~9, *, #) | |
| LED Status Indication | 3 LED indicators display (Red/Yellow/Green) | |
| Input | 1 contact for Request-To-Exit button | |
| | 1 contact for door reed switch | |
| Output | 2 relays (Dry contacts: N.O./N.C./Com.) | |
| Relay Strike Time | 01~99 seconds or Toggle Mode (00) | |
| Relay Electric Current | 3A/120VAC , 3A/24VDC | |
| Memory Volume | 20+1 PINs (*01~*021) | |
| | Relay 1 is controlled by user *01~*20 | |
| | Relay 2 is controlled by user *21 | |
| | Sign: Relay1(*30); Relay2(*31) | |
| EPROM | Non-volatile memory allows remaining all setting codes in the event of total power failure. | |
| Ambient Humidity | 0%~95% (Non-condensing) | |
| Operating Temperature | -20°C~+70°C | |

II. Status Indication

| | | |
|------|-----------|--|
| LED | Green On | Power on, Stand by |
| | Red On | Relay 1 active |
| | Yellow On | Relay 2 active |
| Beep | 1 Beep | Valid key press |
| | 2 Beeps | Enter, exit setting mode |
| | 3 Beeps | Incorrect operation |
| | 5 Beeps | Master Code back to 12345 (Cleared settings) |

III. Operation Instruction

◆ Jumper Setting



- Default value: "1234" for 4 digits, "12345" for 5 digits
It's suggested to clear all stored codes prior to new setting.
- Master Code reset to default value "12345":
 - Insert the jumper into 1-2 (5 beeps)
 - Master Code reset to default value

- c. Insert the jumper into 2-3
3. Clear all PINs:
 - a. Reset Master Code to default value (5 beeps, clearing all PINs)
 - b. Insert the jumper into 2-3

◆ **Enter Setting Mode**

Enter the master code twice (Default value: "1234" or "12345) to enter setting mode (2 beeps)

Note: 1. After 60 seconds if no data entered, it will automatically exit the setting mode.

2. The controller will be locked for 60 seconds upon 30 consecutive master codes attempt.

◆ **Add new PINs (In setting mode)**

1. Enter Master code twice (2 beeps)
2. Slot position *01~*21
3. Enter the PINs (1 beep)
4. Repeat, or press "#" to exit setting mode

Relay 1 is controlled by the slot position *01~*20

Relay 2 is controlled by the slot position *21

Note: "00000", "1234", "12345" and master code cannot be used for PINs.

◆ **Set the Relay Strike Time (In setting mode)**

1. Enter the master code twice (2 beeps)
2. Press *30 (or *31)
3. Press 05 (01~99) (1 beep)
Press 05 will set the relay strike to 5 seconds, relay set to toggle mode by press "00"
4. Press "#" to exit setting mode

Note: In Toggle mode, the relay will switch between N.C. contact and N.O. contact by input PIN once.

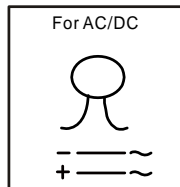
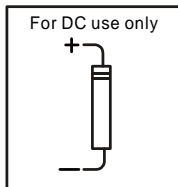
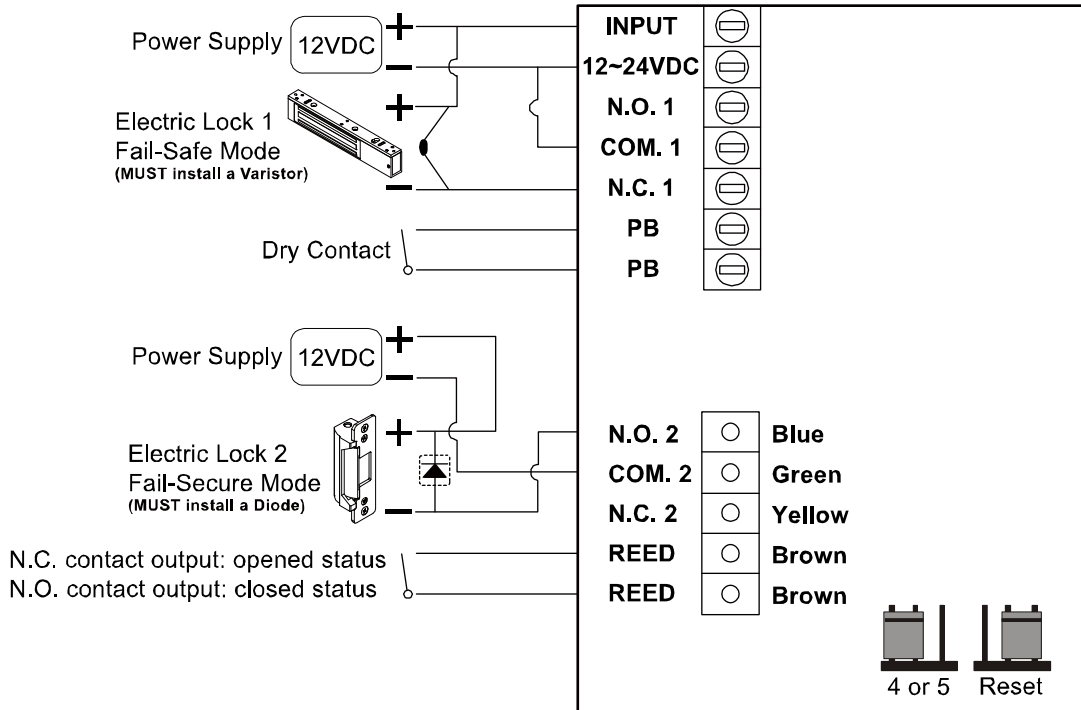
◆ **Delete PINs (In setting mode)**

1. Enter the master code twice (2 beeps)
2. Press *06 (e.g. code to delete)
3. Press 0000 (or 00000) (1 beep)
4. Press "#" to exit setting mode

◆ **Change Master Code (In setting mode)**

1. Enter the master code twice (2 beeps)
2. Press *00
3. Enter new master code (1 beep)
4. Press "#" to exit setting mode

IV. Wiring Diagram



The door strike or relay must have a varistor or a diode across the door strike terminals to suppress the back EMF of the strike – failure to do so will damage the relay contacts and electronic components, or even burns the controller.

Note

Additional input for anti-tailgating function to ensure high security access control. The function is unavailable for Toggle Mode (00).