



#T108 PUSH PLATE SWITCH

T108 series Push Plate Switches consist of a 2 Narrow Push Plates on a 2-gang box Back Plate. SPDT-Momentary switch is furnished standard. A full list of customization options are available including handicap symbol engraving.

PRODUCT FEATURES

- Handicap Symbol Available
- All manufactured with rust resistant 1/4" aluminum
- Non-binding internal stainless steel screws
- Tested for 1,000,000 cycles

PRODUCT SPECIFICATIONS

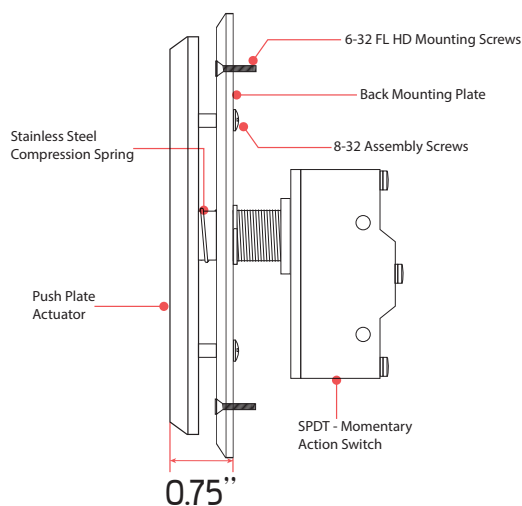
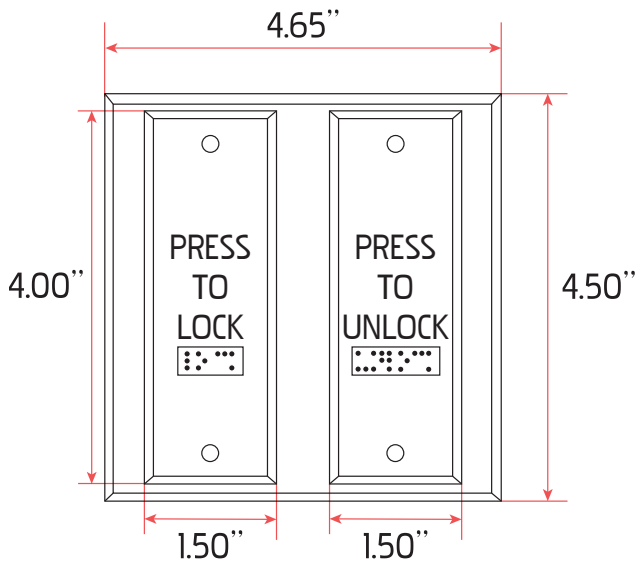
BACK PLATE: 4.50" x 4.625"

NARROW PUSH PLATE: 4.00" x 1.50"

- Contact Rating: 6 Amps @ 125VAC/28VDC
- SPDT - Momentary switch (Standard)
- Material: 5052 Marine-type aluminum
- Finish: Clear satin anodized aluminum (Standard)

NOTES

- Engraving Available in Spanish, Japanese, French, Arabic, Portuguese and Chinese.





#T108 PUSH PLATE SWITCH

T108 series Push Plate Switches consist of a 2 Narrow Push Plates on a 2-gang box Back Plate. SPDT-Momentary switch is furnished standard. A full list of customization options are available including handicap symbol engraving.

ENGRAVING OPTIONS

| | |
|--------------------------|---------------------------------------|
| E00: No Engraving | E11: Push to Sound Alarm |
| E01: Exit | E15: Emergency Door Release |
| E02: Push to Exit | E22: Push to Exit w/ HCP Logo |
| E03: Push to Open | E24: Push to Open Door w/ HCP Logo |
| E04: Emergency | E32: Push to Operate Door w/ HCP Logo |
| E07: Push for Help | E41: Request to Exit |
| E08: Push to Lock | EH2: HCP Logo |
| E09: Push to Unlock Gate | ECE: Custom Engraving |

ENGRAVING COLOR

| |
|------------------|
| RD: Red |
| BK: Black |
| GD: Gold |
| WH: White |
| CU: Custom Color |

SWITCH TYPES

| |
|--|
| SPDT: Momentary |
| DPDT: Double pull double throw Momentary |
| PNUM: Pneumatic Time-Delay Switch |
| WILS: Wireless |
| TIMR: Dual-timer |

FINISHES

| |
|--------------------|
| SB: Sandblast |
| RD: Red |
| CU: Custom Finish |
| CA: Clear Anodized |
| DB: Dark Brown |
| WH: Off White |