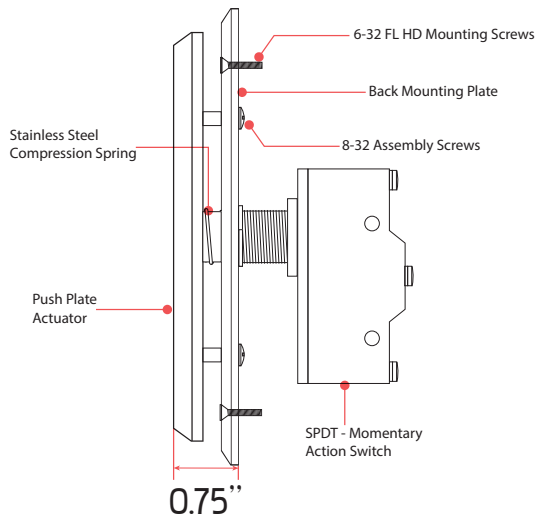
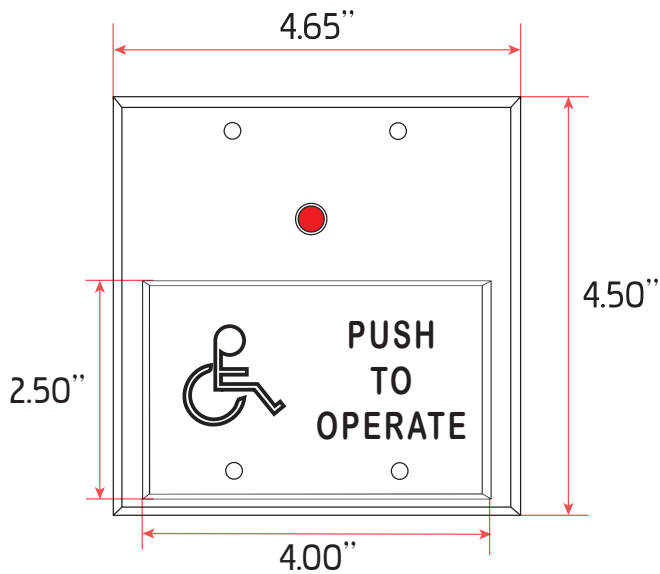




#D107 PUSH PLATE SWITCH CONTROL

D 107 Series Push Plate Switch Control consist of a security push plate on a 2-gang Back Plate. A full list of customizable options are available, see below.



PRODUCT FEATURES

- All manufactured with rust resistant 1/4" inch aluminum
- Non-binding internal stainless steel screws
- Handicap symbol available
- Tested for 1,000,000 cycles

PRODUCT SPECIFICATIONS

BACK PLATE: 4.50 x 4.625"

PUSH PLATE: 2.50" x 4.00"

- Contact Rating: 6 Amps @ 125VAC/28VDC
- SPDT - Momentary switch (Standard)
- Material: 5052 Marine-type aluminum
- Finish: Clear satin anodized aluminum (Standard)

NOTES

- Engraving Available in Spanish, Japanese, French, Arabic, Portuguese and Chinese.



#D107 PUSH PLATE SWITCH CONTROL

D 107 Series Push Plate Switch Control consist of a security push plate on a 2-gang Back Plate. A full list of customizable options are available. see below.

ENGRAVING OPTIONS

E00: No Engraving	E11: Push to Sound Alarm
E01: Exit	E15: Emergency Door Release
E02: Push to Exit	E22: Push to Exit w/ HCP Logo
E03: Push to Open	E24: Push to Open Door w/ HCP Logo
E04: Emergency	E32: Push to Operate Door w/ HCP Logo
E07: Push for Help	E41: Request to Exit
E08: Push to Lock	EH2: HCP Logo
E09: Push to Unlock Gate	ECE: Custom Engraving

ENGRAVING COLOR

RD: Red
BK: Black
GD: Gold
WH: White
CU: Custom Color

SWITCH TYPES

SPDT: Momentary
DPDT: Double pull double throw Momentary
PNUM: Pnuematic Time-Delay Switch
WILS: Wireless
TIMR: Dual-timer

FINISHES

SB: Sandblast
RD: Red
CU: Custom Finish
CA: Clear Anodized
DB: Dark Brown
WH: Off White