

# Electric Strikes

## 600 - Installation Guide

### SPECIFICATIONS

Faceplate: 5.0625" L x 1.25" W x 1.25" H

Voltage: 12VDC

Current: 250mA

200mA

Feature: Fail-Secure(N/O)

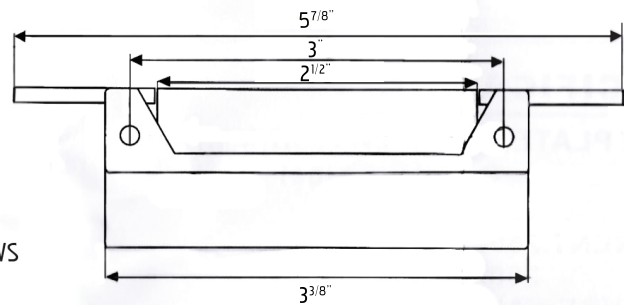
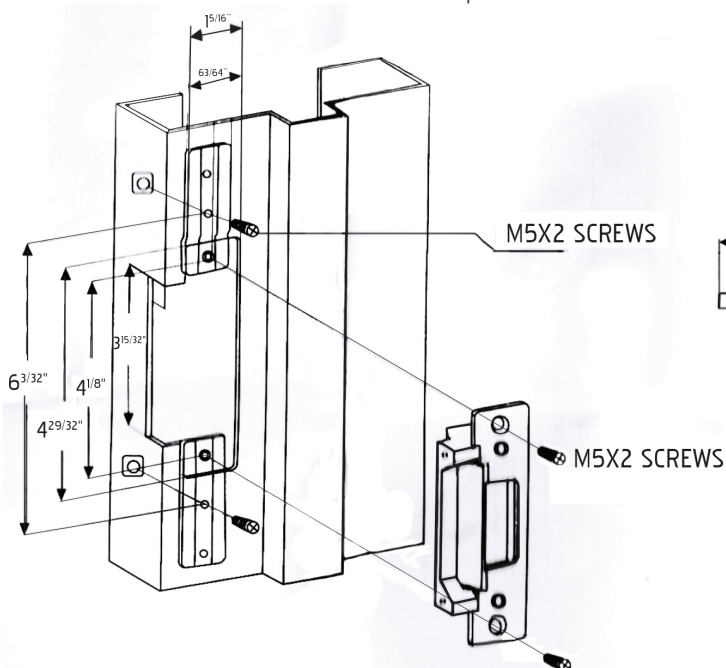
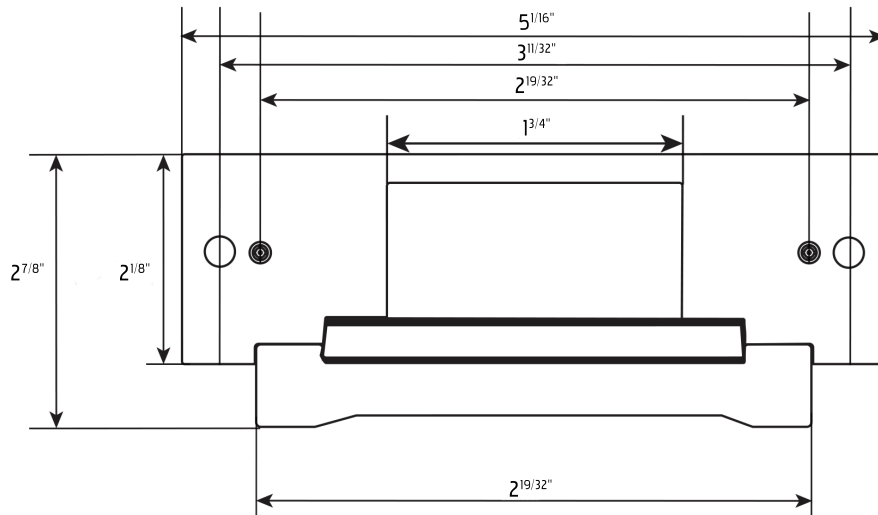
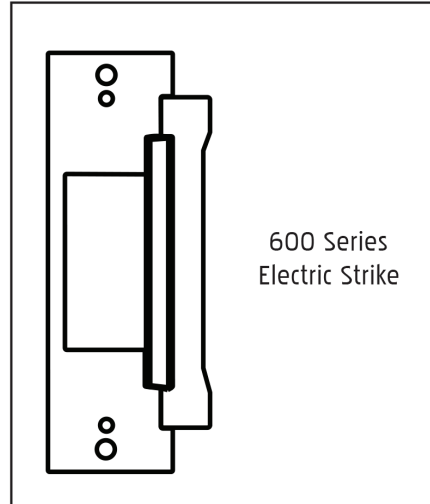
Fail-Safe (NC)

White: + -

Blue: N/C

Orange: COM

Yellow: N/O



**DeltrexUSA**  
(718) 401-4066