

# Visual Status and Monitoring 375 Series



## Specification:

Contact Rating: 28 Volt

Current Draw: .08 Amps @ 28VAC/DC

10" color coded 22-gauge stranded wires leads

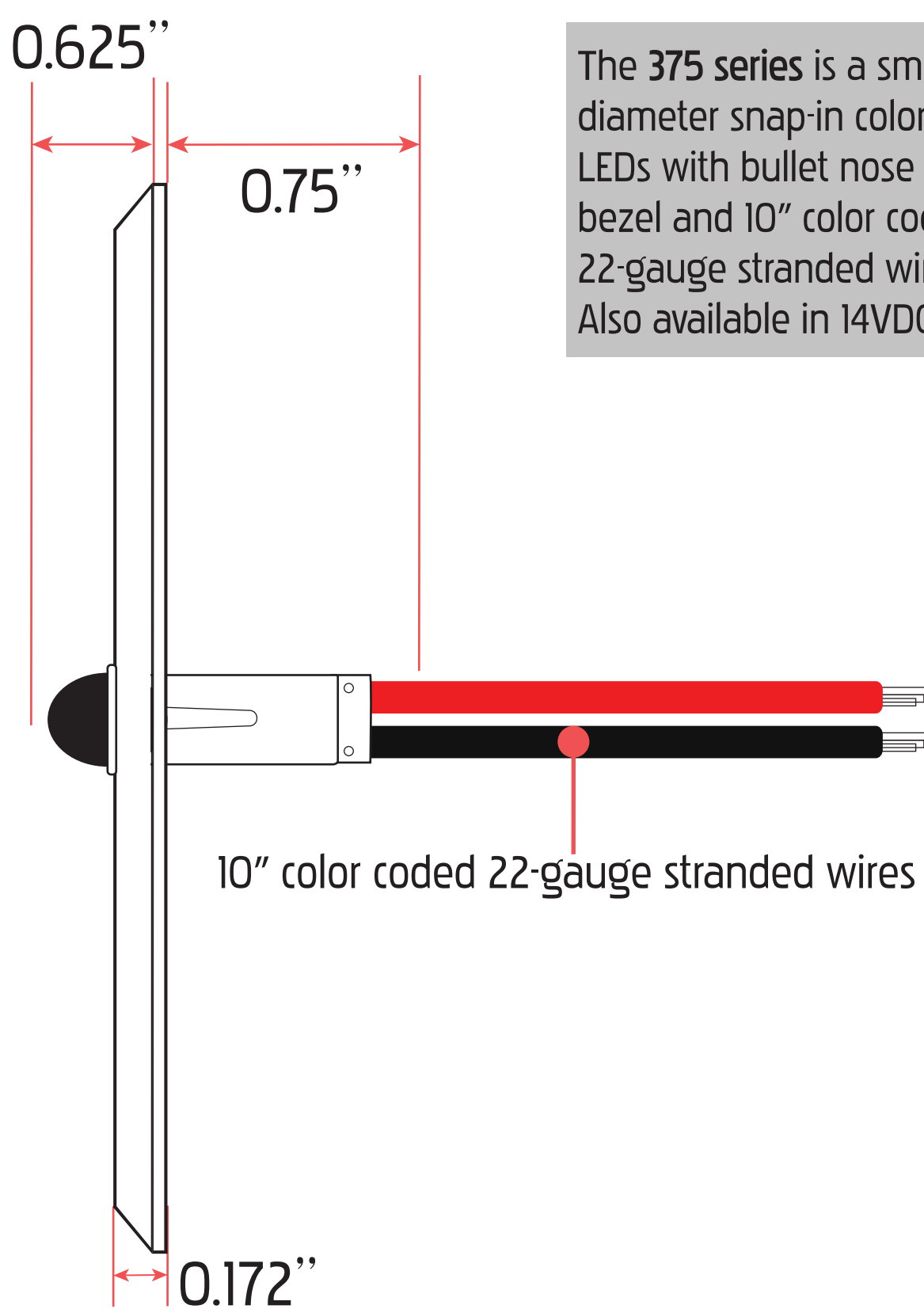
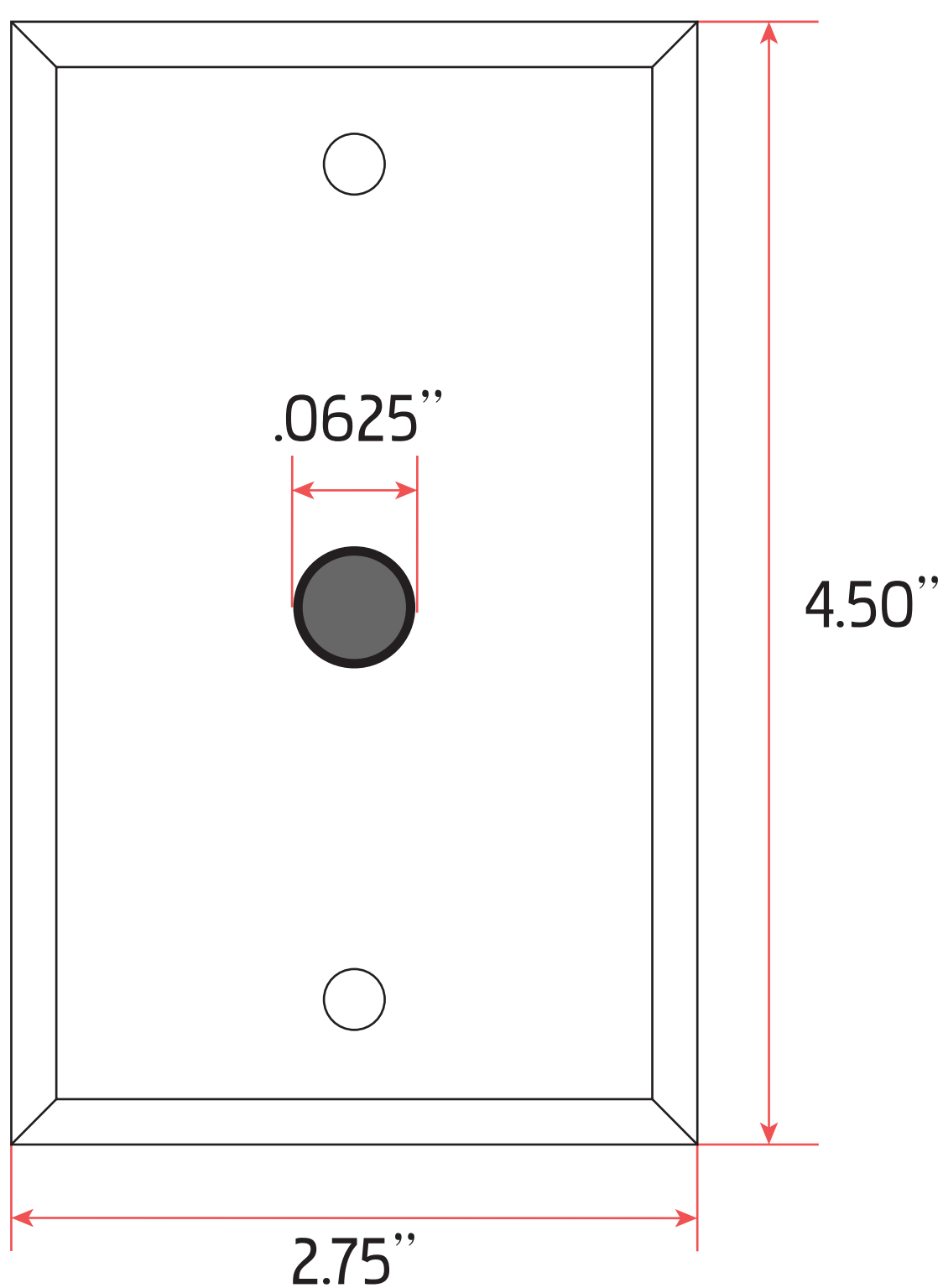
LED: Colored 28V

Material: Switch plate 0.60 stainless 302

## Dimensions:

Switch Plate: 2.75" x 4.50"

Narrow Plate: 1.75" x 4.00"



The 375 series is a small 1/4" diameter snap-in colored 28VDC LEDs with bullet nose lens, black bezel and 10" color coded 22-gauge stranded wires leads. Also available in 14VDC.

10" color coded 22-gauge stranded wires leads