

#DX230 Digital Finger / Keypad



Description

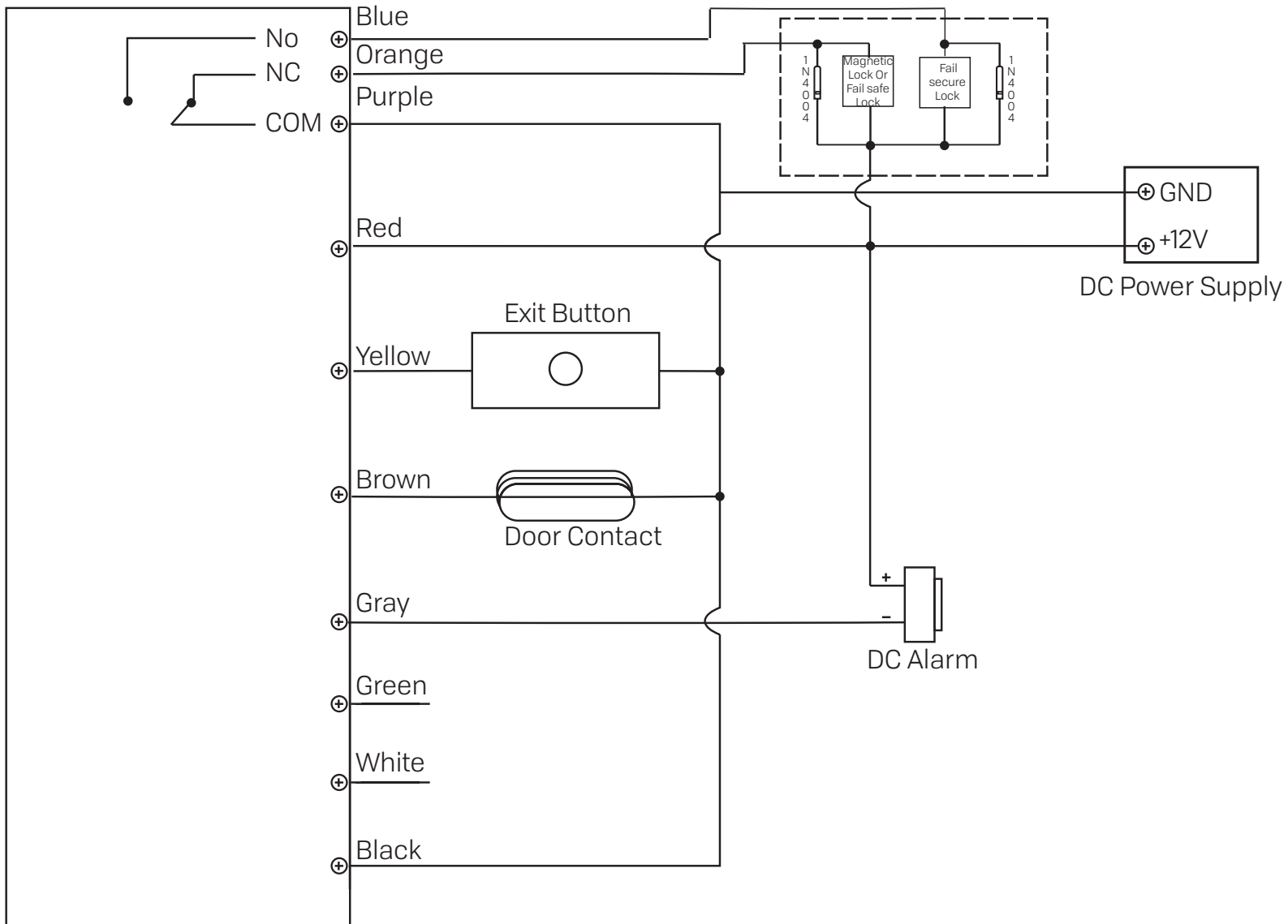
The device is a waterproof metal case standalone fingerprint access control with keypad. DX230 waterproof makes it very suitable for outdoor use. The device supports up to 1000 fingerprint users and 2000 PIN users, with Wiegand 26-44 bits output, it can also work as a slave reader to connect to a 3rd party controller. The device supports fingerprint access, PIN access and multi users access; with external alarm, door contact, exit button.

Main Features

- Waterproof
- Metal case, anti-vandal
- One programming relay output
- 1000 fingerprint users, 2000 PIN users
- Wiegand 26-44 bits output
- Standalone or pass-through operation
- Multi PINs / fingerprints access
- Support setting Authorized Users
- 2 devices support interlock for 2 doors
- and many more.....

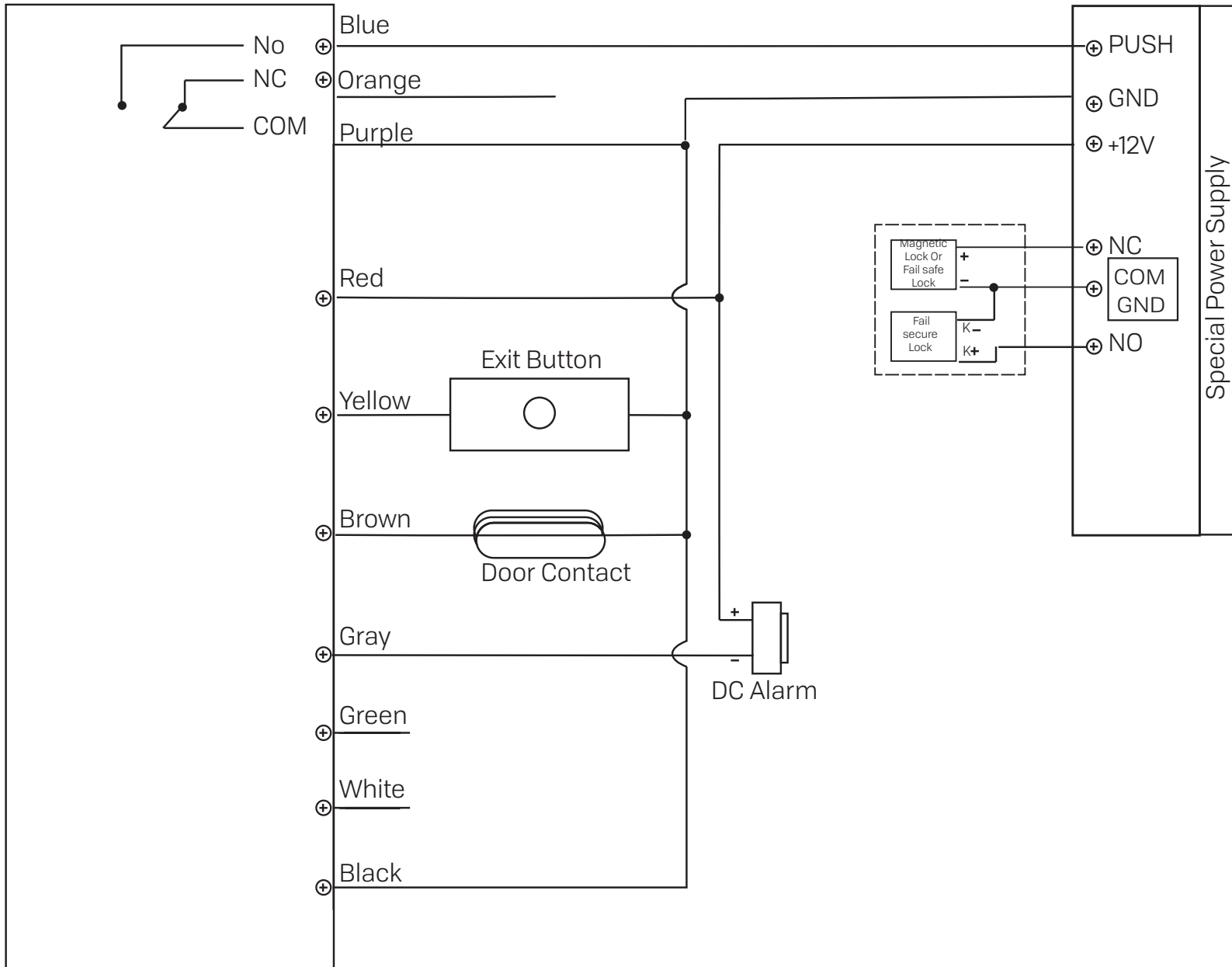
Connection Diagram

COMMON POWER SUPPLY



ACCESS CONTROL

ACCESS CONTROL POWER SUPPLY



ACCESS CONTROL